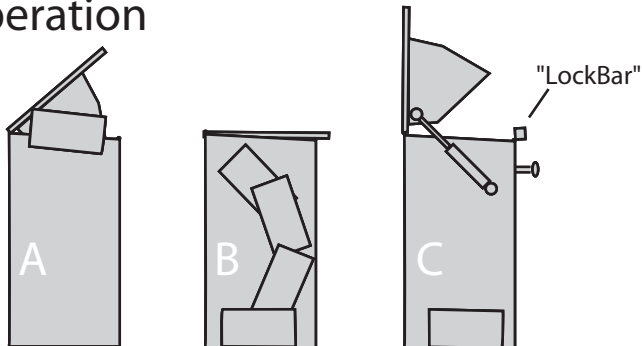




Parcelpod, designed by Applied Storage Products Ltd. as the secure standard for home deliveries. ParcelPod is the final link in the home purchasing chain, & with so many advances in computer & credit card security it makes sense that the final stage of the process... the delivery to your home is secure.

Instructions

Operation



Delivery services simply open & close the lid as in fig 'A' & 'B'

You remove your parcels by unlocking & opening the lid further as in Fig "C"

The lid/chute is hinged at the rear & is opened by lifting gently at the front, after the lid has been raised approximately 200mm, the two gas stays will automatically park the lid in position 'A' ready to receive parcels.

After a parcel has been deposited the lid should be closed, which will transfer the parcel to the secure chamber. (this action will be assisted by the gas stays to give a smooth operation)

To remove parcels from the unit, unlock the safelock with the key, open the lid to position 'A' then push the lid down by approximately 30mm & rotate the 'lockbar' towards you, when the lock bar is forward allow the lid to fully open by slowly releasing the hand pressure on the lid, the lid will travel to position 'C' and be held securely by the gas stays whilst the parcels are removed.

When the parcels are removed, close down the lid to beyond the point where the lockbar can be rotated back into the locked position, lock the safelock with the key & fully close the lid.

The whole operation is simple & intuitive

Security

Parcelpod has many detail design features to enhance security, but it is strongly recommended that it is secured to a solid wall & or floor, this should be facilitated via masonry raw bolts for best effect.

Maintenance

Parcelpod is low maintenance, but it is recommended that the safelock & the two hinges (one on the lid & one on the lockbar) are oiled with light machine oil (eg 3in1) twice yearly or more frequently as required. The two gas stays are maintenance free.

Safety

Care should be taken when opening & closing the lid to avoid trapping fingers, the gas stays partially reduce the closing weight of the lid for added safety. Do not tamper with or attempt to remove the gas stays. Do not allow children to play with or tamper with the unit.

Customer Support

Please contact the number below or email service@appliedstorageproducts.co.uk if further assistance or information is required. ParcelPod is warranted for 12 months